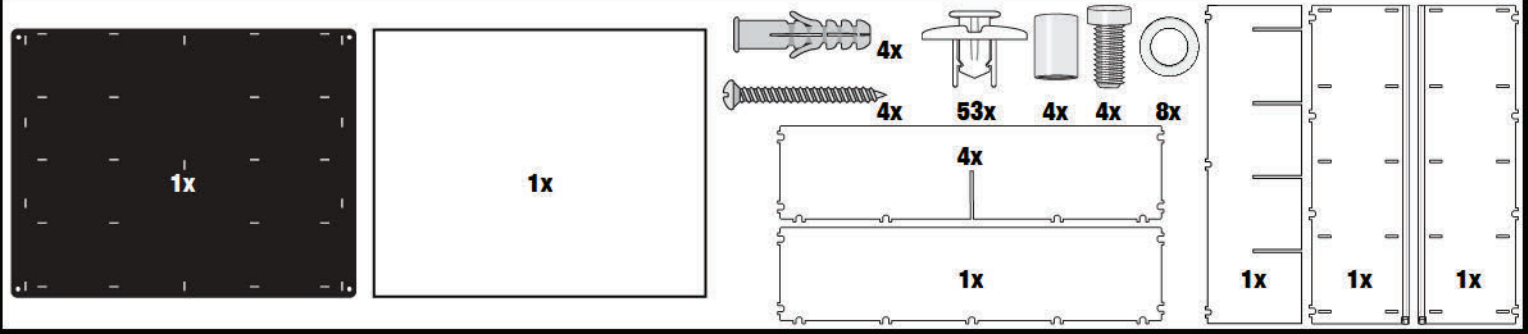


Collector's SHOWCASE

1:18 SCALE 8 CAR DISPLAY CASE (CS24550)

IN THE BOX



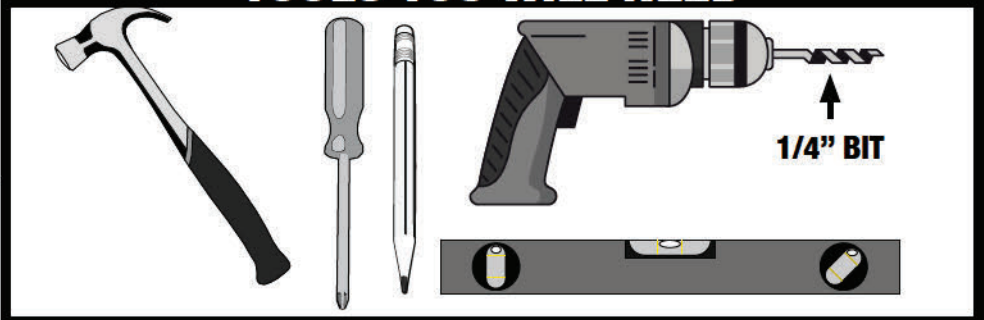
Assembly tips:

- Review assembly instructions before starting
- Work on a soft, clean surface
- Remove protective film prior to assembly

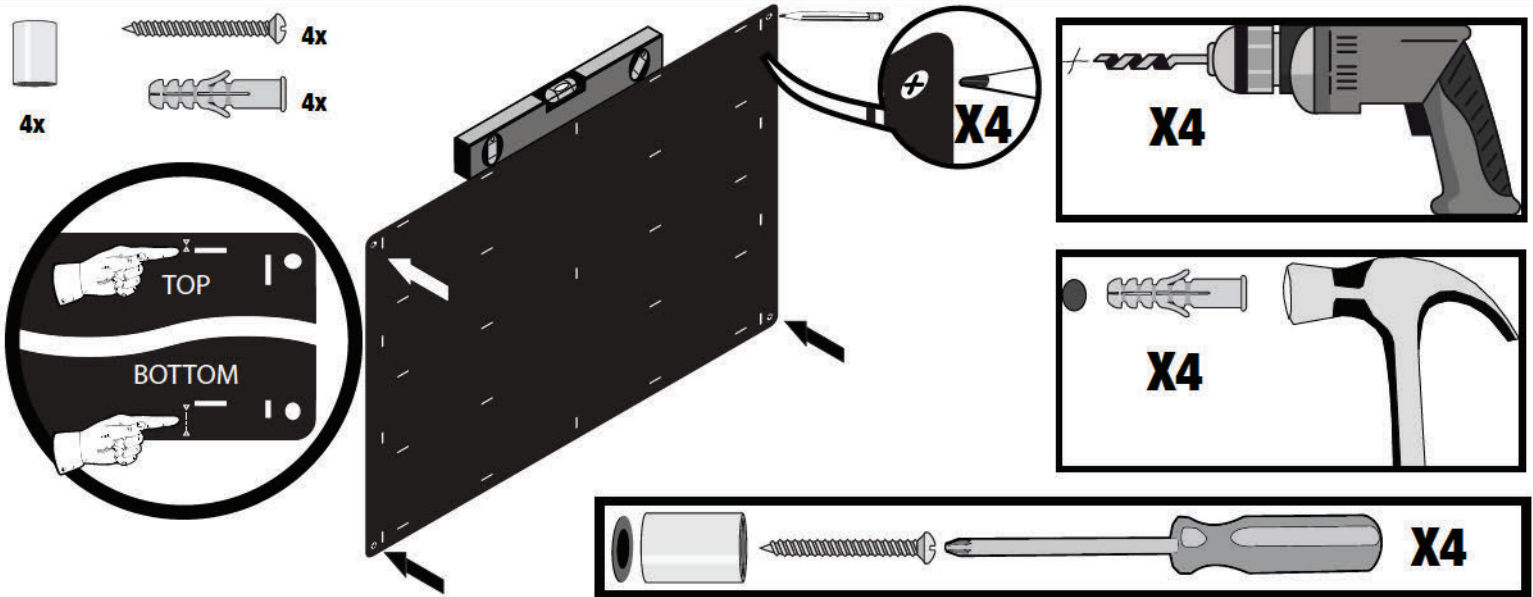
*PRO TIP

USE SURGICAL OR SOFT CLOTH GLOVES DURING ASSEMBLY TO AVOID HAVING TO CLEAN FINGERPRINTS LATER.

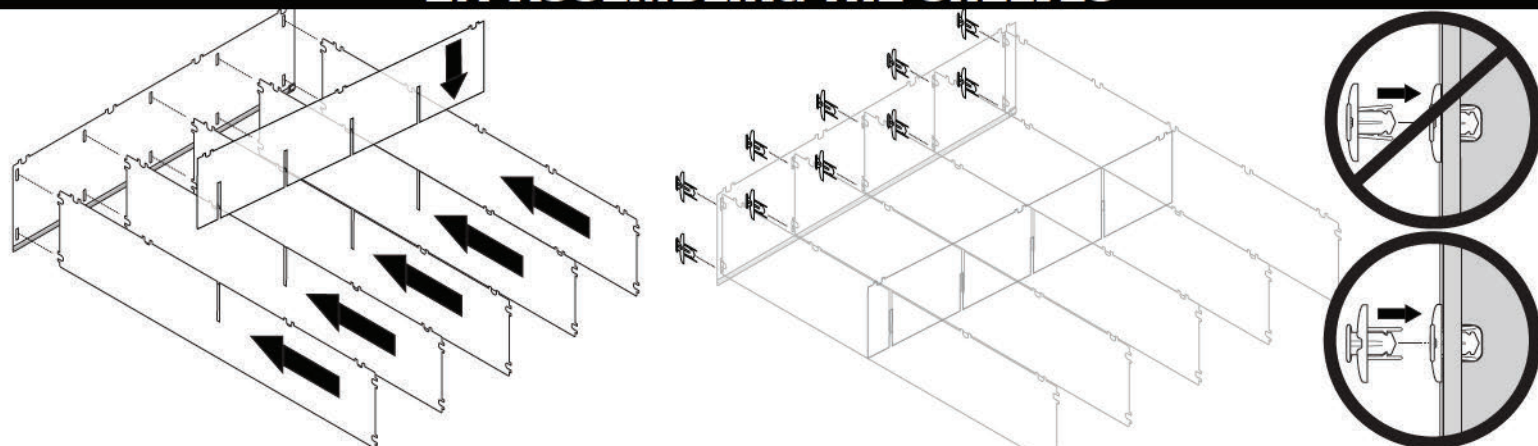
TOOLS YOU WILL NEED



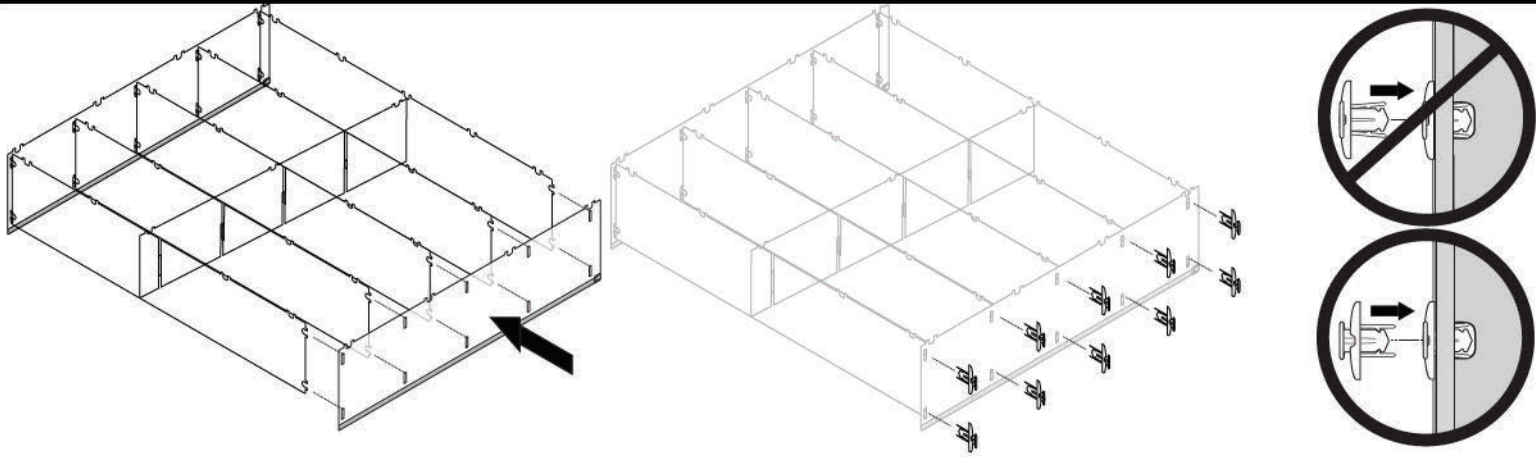
1 PREPARING YOUR WALL



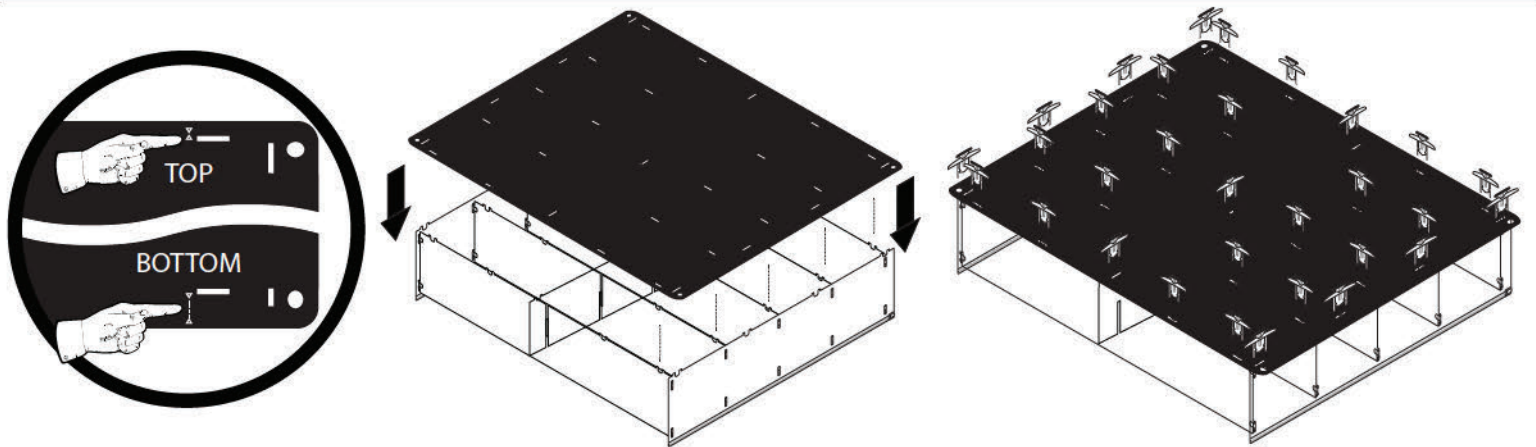
2.1 ASSEMBLING THE SHELVES



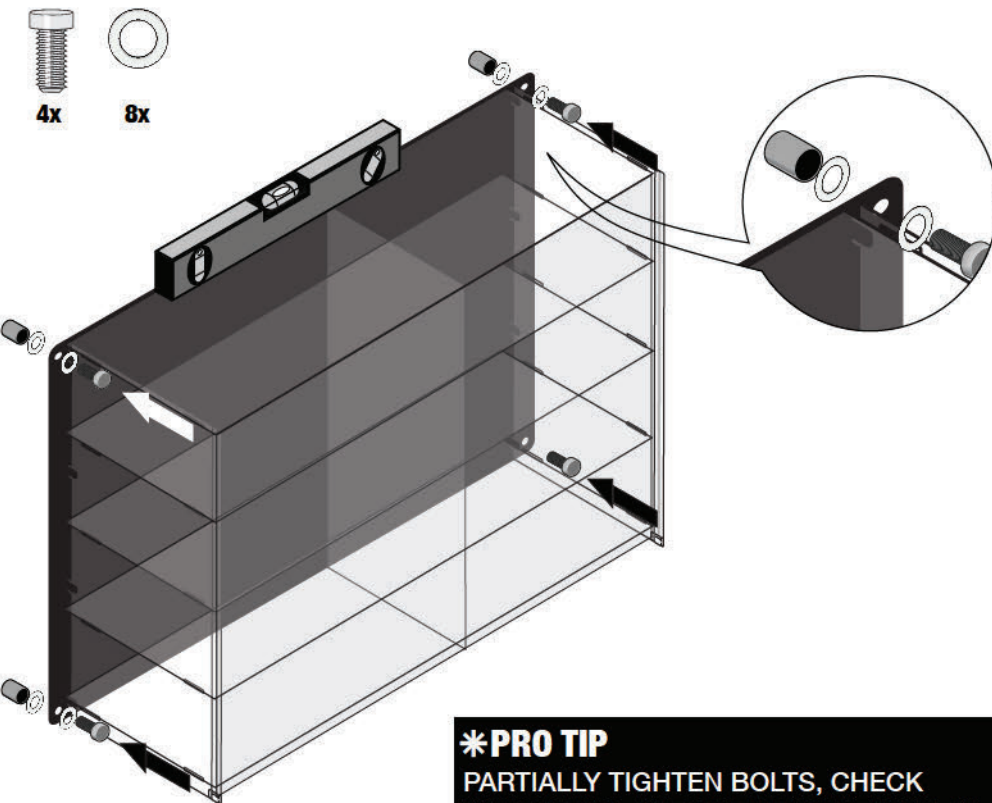
2.2 ASSEMBLING THE SHELVES



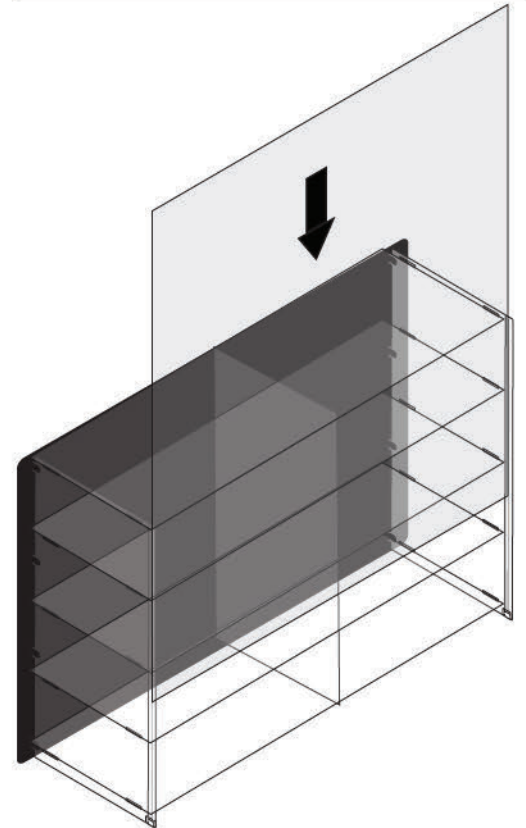
3 ATTACHING THE BACK PLATE



4 ATTACHING TO THE WALL



5 FINISHING UP



***PRO TIP**
PARTIALLY TIGHTEN BOLTS, CHECK
YOUR LEVEL AND THEN TIGHTEN FULLY

Cleaning and maintenance:

We recommend using a lint free microfiber towel. We recommend Brillianize or Novus. You can also use a solution of mild dish soap and water. These are safe for plastics, and you can even purchase solutions that help minimize the appearance of any scratches.

DO NOT USE: Ammonias, All Purpose Cleaners, Abrasives, Dry Cloths, Aromatic Cleaners, Windex