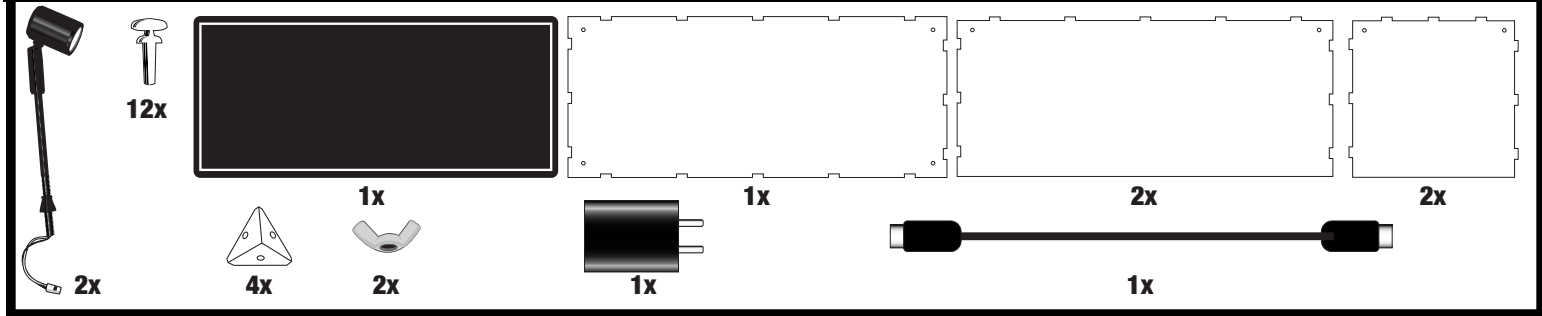


## IN THE BOX



### Assembly tips:

- Review assembly instructions before starting
- Work on a soft, clean surface
- Remove protective film prior to assembly

### \*PRO TIP

USE SURGICAL OR SOFT CLOTH GLOVES DURING ASSEMBLY TO AVOID HAVING TO CLEAN FINGERPRINTS LATER.

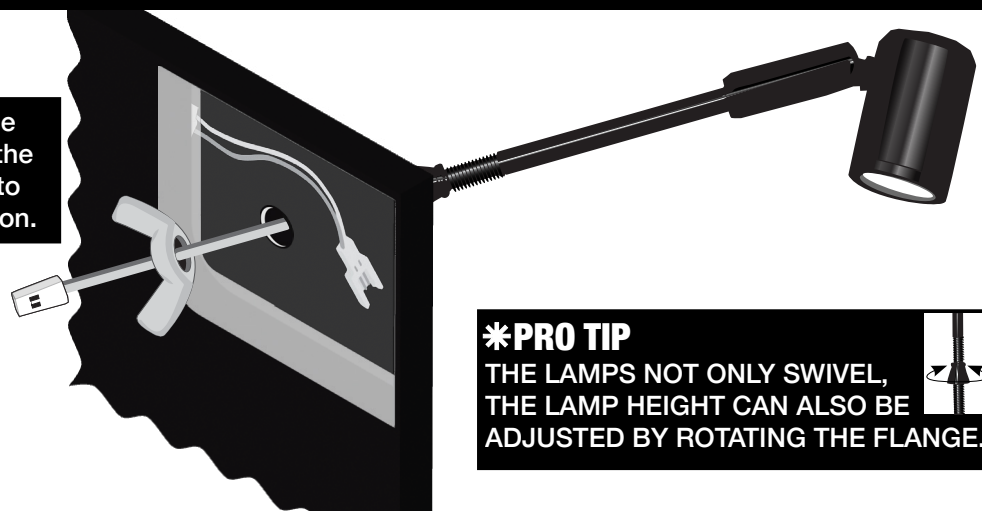
## 1. 1 ASSEMBLING THE SPOTLIGHTS

On the underside of the base, there are two covered compartments. Insert a small tool (ie. paper clip, toothpick) into the holes in the covers and lever up the two magnetic covers from the bottom of the base.



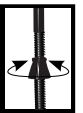
## 1. 2 ASSEMBLING THE SPOTLIGHTS

Pass the lamp wires through the base mount hole. Slide the wing nut over the clip and wires. Tighten the wing nut to secure the lamp in the desired position.



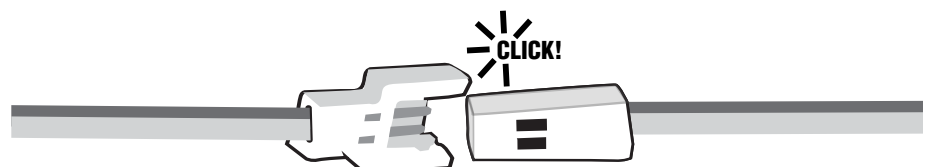
### \*PRO TIP

THE LAMPS NOT ONLY SWIVEL, THE LAMP HEIGHT CAN ALSO BE ADJUSTED BY ROTATING THE FLANGE.



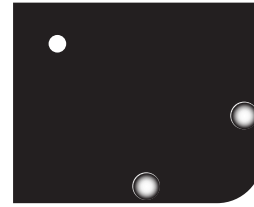
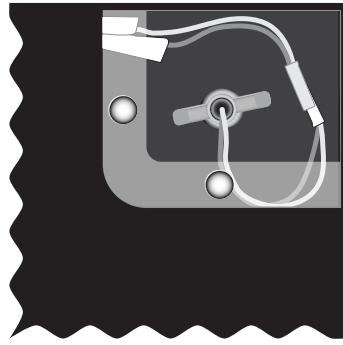
## 1. 3 ASSEMBLING THE SPOTLIGHTS

Attach the lamp wires to the base wires by inserting the base wire clip into the lamp wire clip.



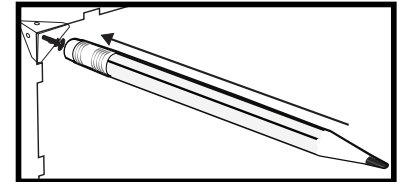
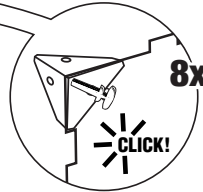
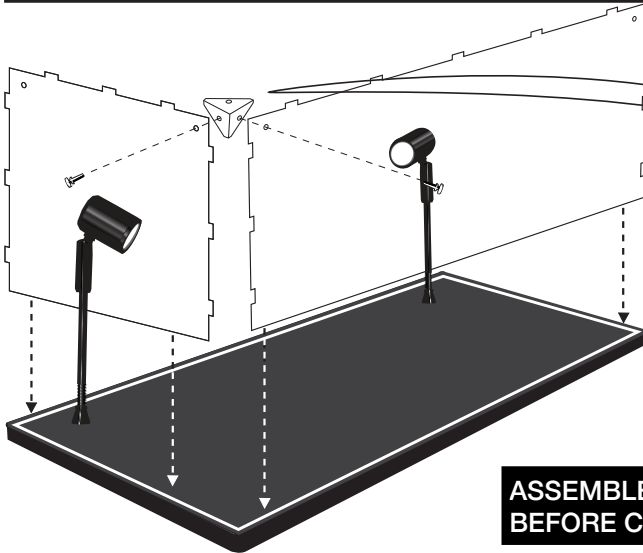
## 1. 4 ASSEMBLING THE SPOTLIGHTS

Neatly tuck the connected wires into the compartment. Ensure that the wires or the lamp post do not extend beyond the compartment.



Replace both covers by aligning and facing the cover magnets to the base magnets. The covers will snap in place.

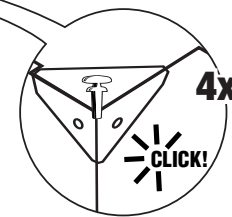
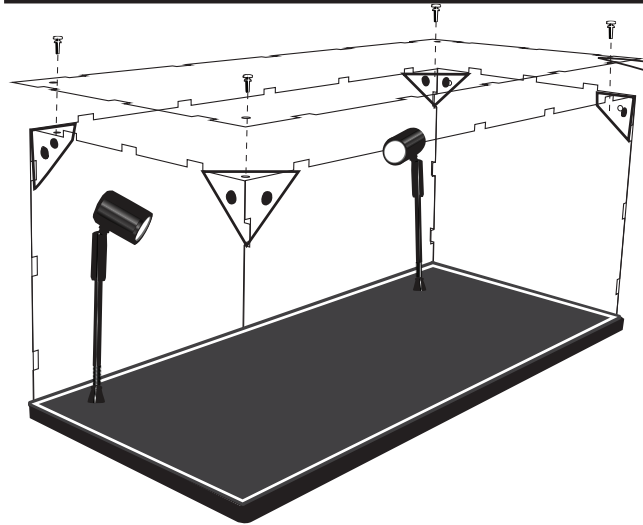
## 2 ASSEMBLING THE SIDES



**\*PRO TIP**  
IF PINS ARE DIFFICULT TO CLICK INTO PLACE, USE THE ERASER END OF A PENCIL TO HELP APPLY PRESSURE.

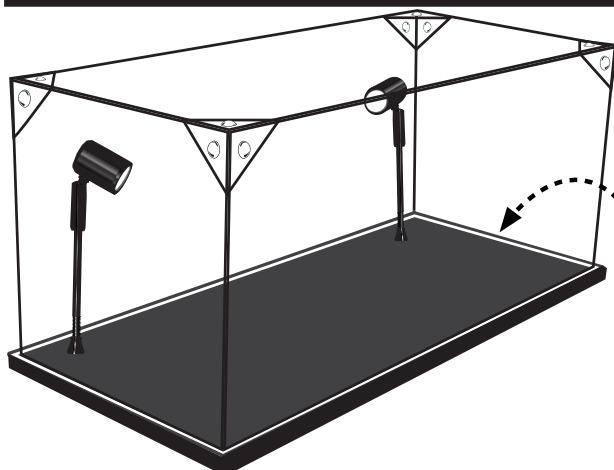
ASSEMBLE ALL FOUR SIDES BEFORE CONTINUING

## 3 ATTACHING THE TOP



**\*PRO TIP**  
FOR EASY TOP ACCESS, DO NOT PIN TOP.

## 4 FINISHING UP



Attach USB C cable to base and wall plug. Plug the wall plug into your outlet. Operate the spotlights using the switch on the base next to the USB C port.



**\*PRO TIP**  
THIS DISPLAY IS DESIGNED TO BE REVERSIBLE. SPOTLIGHTS CAN BE IN FRONT OR BEHIND DEPENDING ON WHAT BEST SUITS YOUR COLLECTIBLE.

Cleaning and maintenance:

We recommend using a lint free microfiber towel. We recommend Brilliance or Novus. You can also use a solution of mild dish soap and water. These are safe for plastics, and you can even purchase solutions that help minimize the appearance of any scratches.

**DO NOT USE:** Ammonias, All Purpose Cleaners, Abrasives, Dry Cloths, Aromatic Cleaners, Windex